

4

3

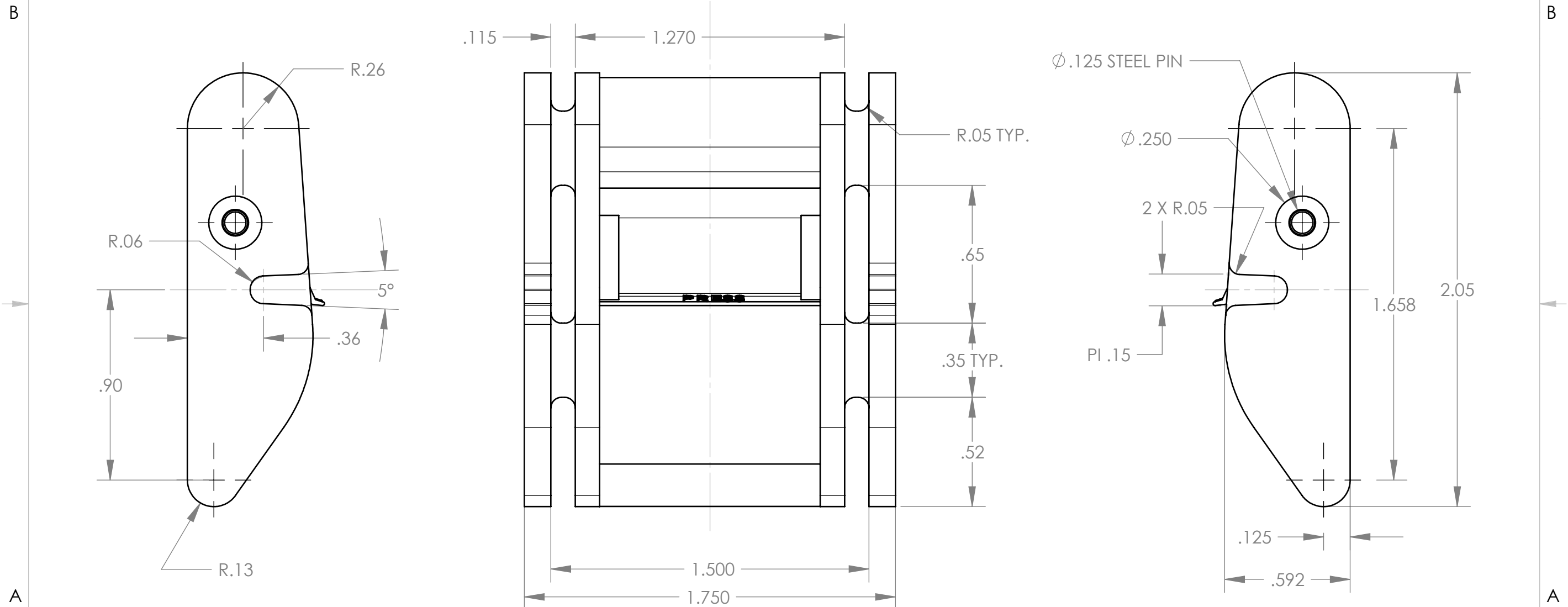
2

1

NOTES - (UNLESS OTHERWISE SPECIFIED)

- 1. ALL DIMENSIONS IN INCHES.
- 2. DIMENSIONING AND TOLERANCING PER ANSI Y14.5.

REVISIONS					
ZONE	REV	DESCRIPTION	E.C.O.	BY	DATE
	1	ORIGINAL ISSUE		GK	08/09/00



THIS DOCUMENT IS ISSUED IN STRICT CONFIDENCE ON CONDITION THAT IT IS NOT COPIED, REPRINTED, OR DISCLOSED TO A THIRD PARTY EITHER WHOLLY OR IN PART WITHOUT THE WRITTEN CONSENT OF YAKIMA PRODUCTS INC.

THIRD ANGLE PROJECTION



CHECKED	
APPR'D	
APPR'D	
ENG	LH
DRAWN	GK 08/09/00
ISSUED	

YAKIMA
PRODUCTS INC.

1385 8th STREET
ARCATA, CA. 95521

OVER MOLDED BUCKLE

MATERIAL			DIECAST STEEL		
TOLERANCE (UNLESS OTHERWISE SPECIFIED)					
.x ±.1	DECIMAL INCHES		.xx ±.03		ANGULAR
		.xxx ±.010			± 1°

SIZE	B	DWG. NO.	5000088	REV	1
SCALE	2:1	SHEET	1 OF 1		

4

3

2

1