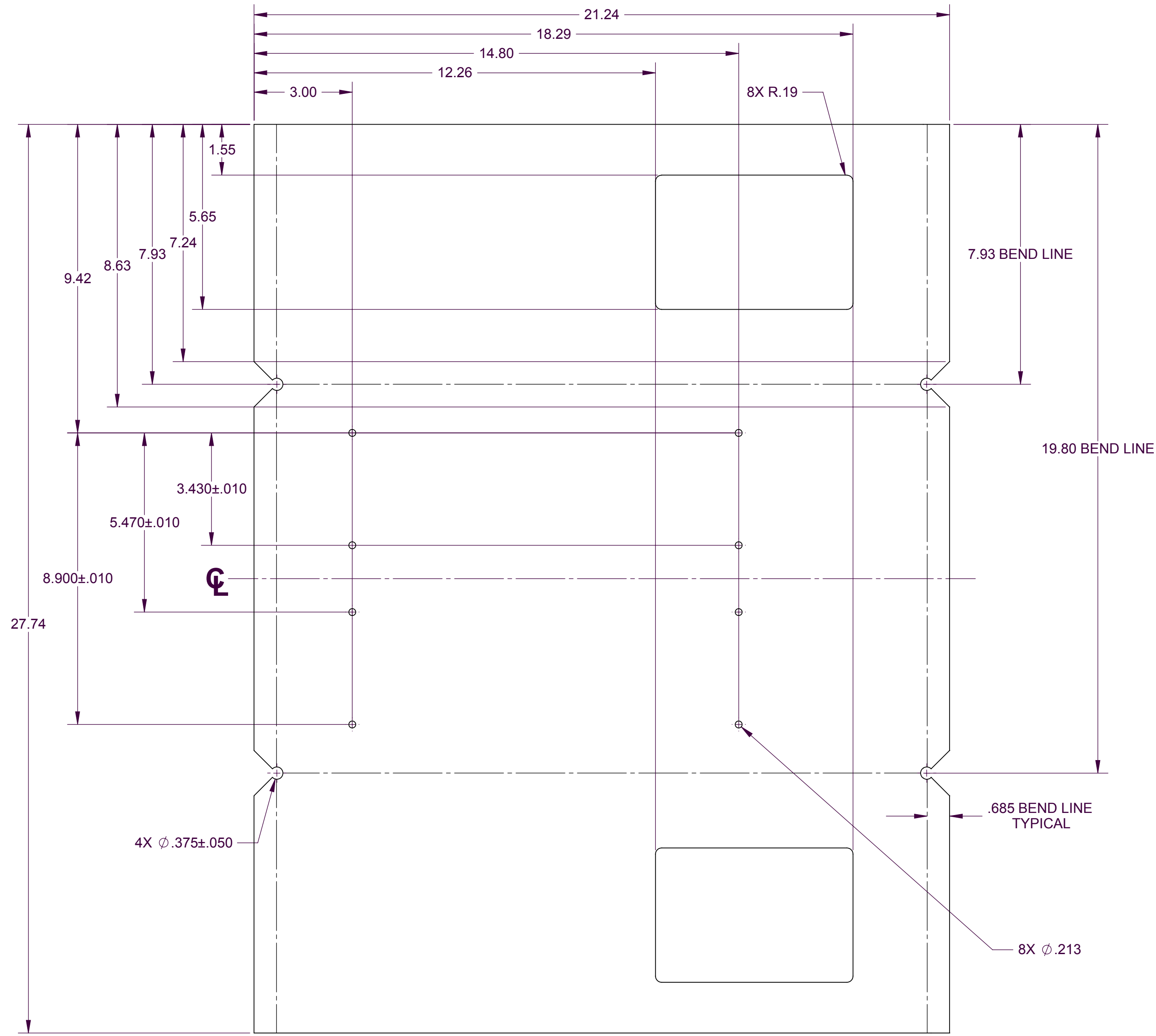
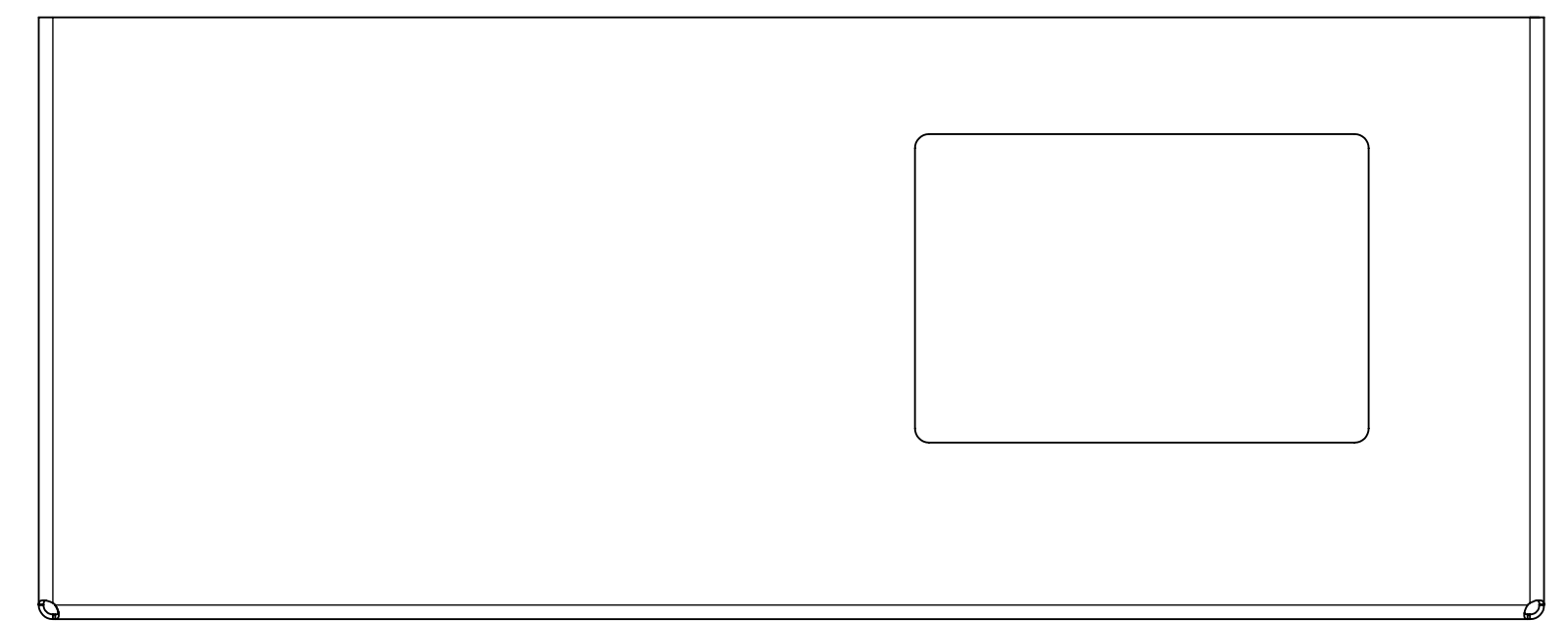
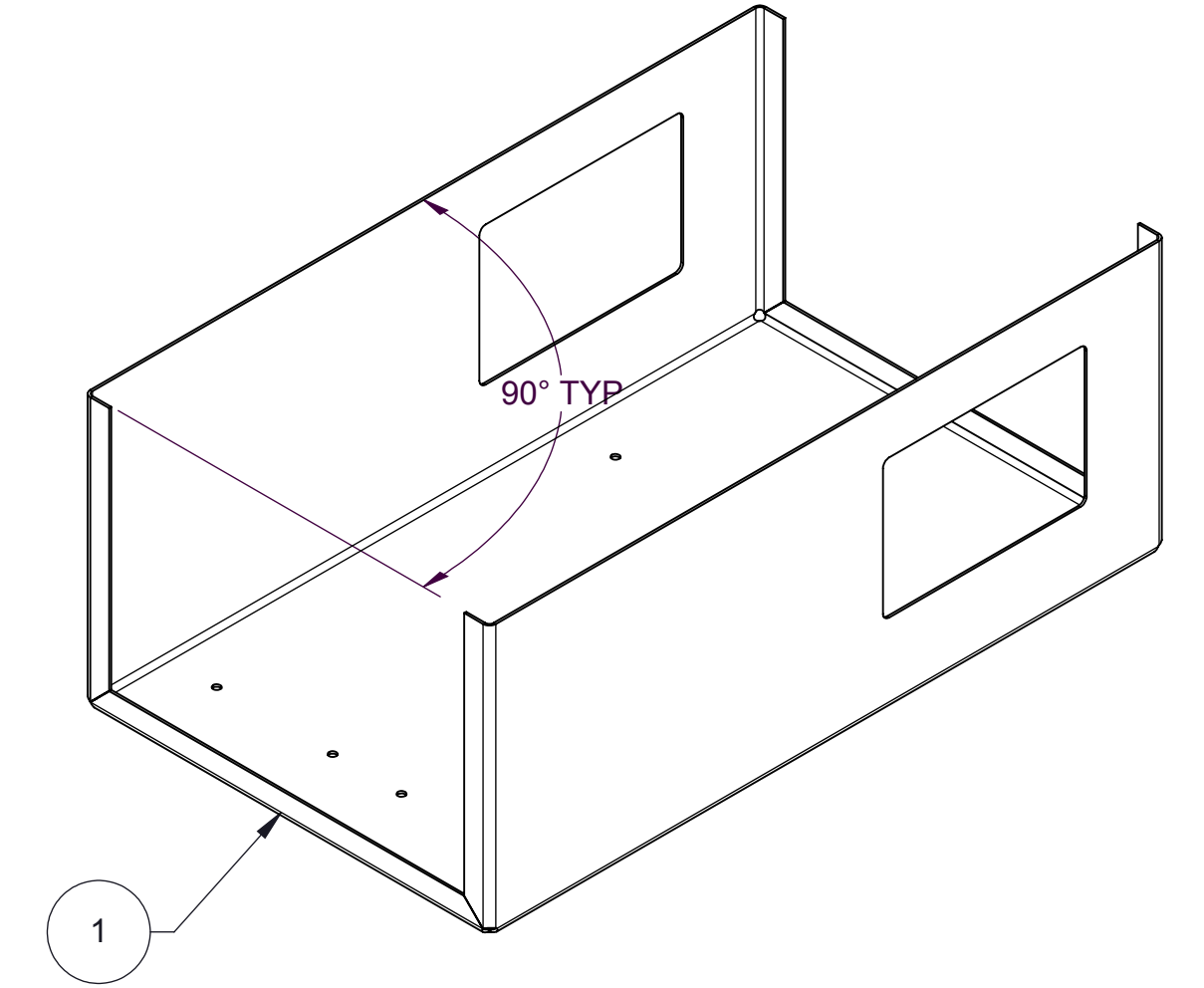
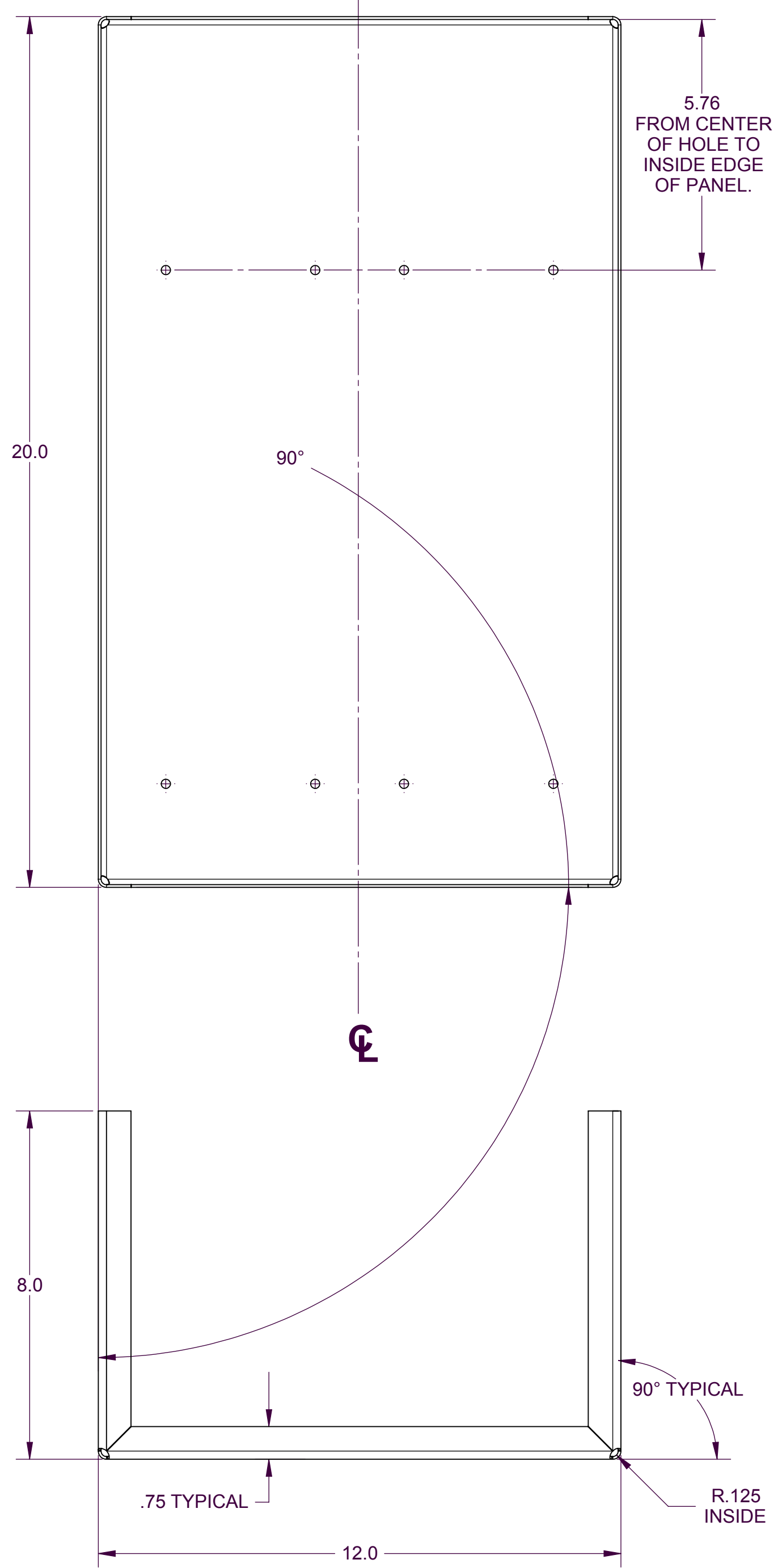


THE INFORMATION CONTAINED HEREIN IS PROPRIETARY TO THE AMERICAN BLIMP CORPORATION AND SHALL NOT BE REPRODUCED IN WHOLE OR IN PART OR USED FOR ANY MANUFACTURING EXCEPT WHEN SUCH USER POSSESSES DIRECT WRITTEN AUTHORIZATION FROM THE AMERICAN BLIMP CORPORATION.

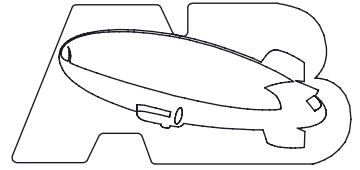
REVISIONS				
INT	REV.	DESCRIPTION	DATE	APPROVED
GK	IR	REF. ECR #9907	12-03-07	



**FLAT PATTERN**



QTY	PART NUMBER	ITEM NO	DESCRIPTION	REMARKS
616	AS .063 6061-T6	1	ALUMINUM SHEET PER QQ-A-250/11	SQ. INCHES

UNLESS OTHERWISE SPECIFIED	PRINT DATE: 12-03-07	<b>American Blimp Corporation</b> 1900 N.E. 25th. AVE. HILLSBORO, OR 97124 (503) 693-1611 <i>creators of LIGHTSHIP</i> 
1-PLACE ± .1	DRAFTER: G.KANE	
2-PLACE ± .05 ANGLES ± 1°	CHECKER:	
3-PLACE ± .005 FRACTIONS ±	ENG:	
REMOVE ALL BURRS AND SHARP EDGES	MFG:	TITLE
MATERIAL SEE BOM	QUALITY:	<b>BOX, GROUND POWER</b>
FINISH ALUM. CONV. COAT PER ABC SPEC. #306010	PRODUCTION EFFECTIVITY: A-60	FOR LIGHTSHIP A-1
	A-1	PLOT SCALE: SIZE D
		DWG. NO. <b>GH1312182-01</b>
		WGT. 1.22
		SHEET 1 OF 1