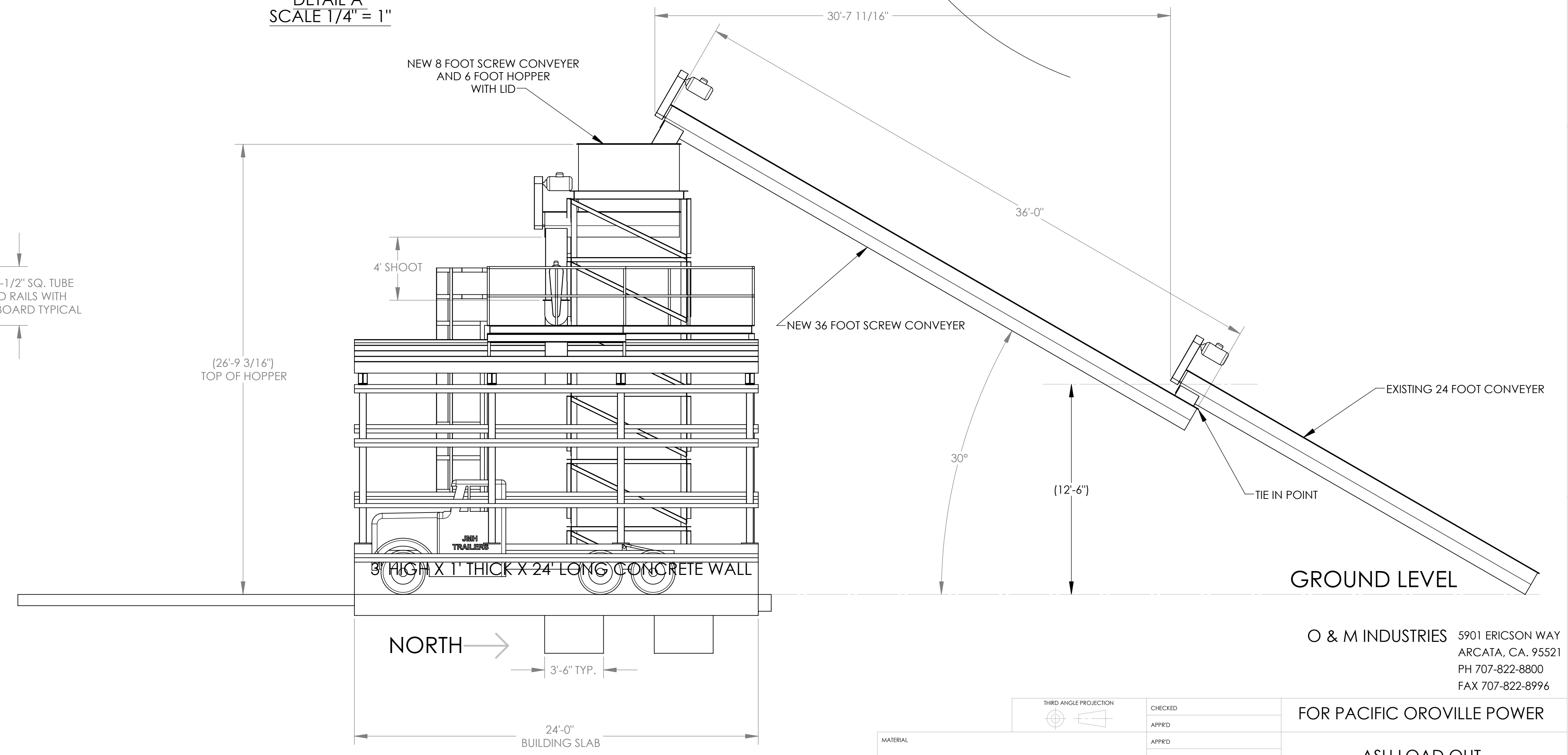
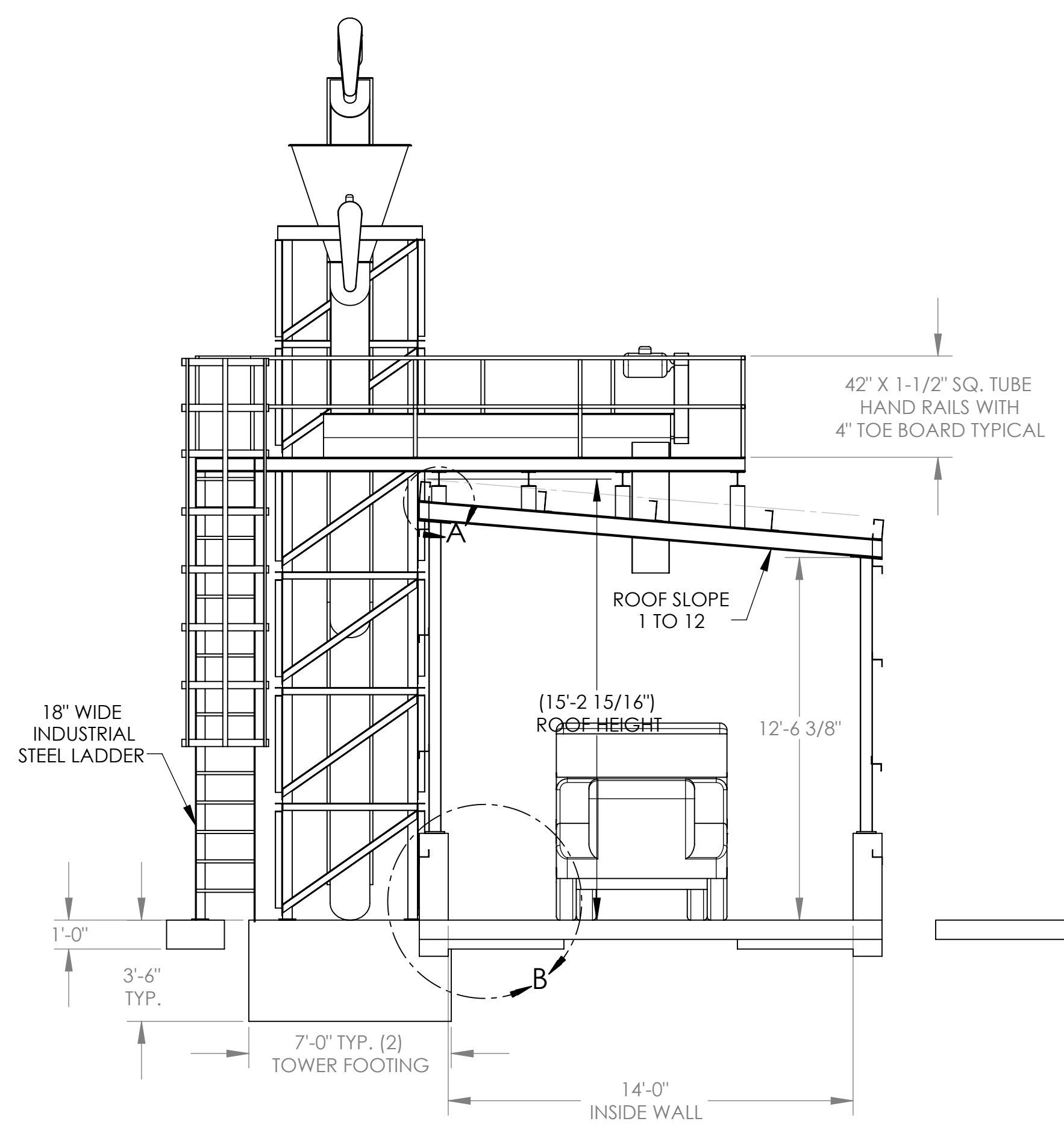
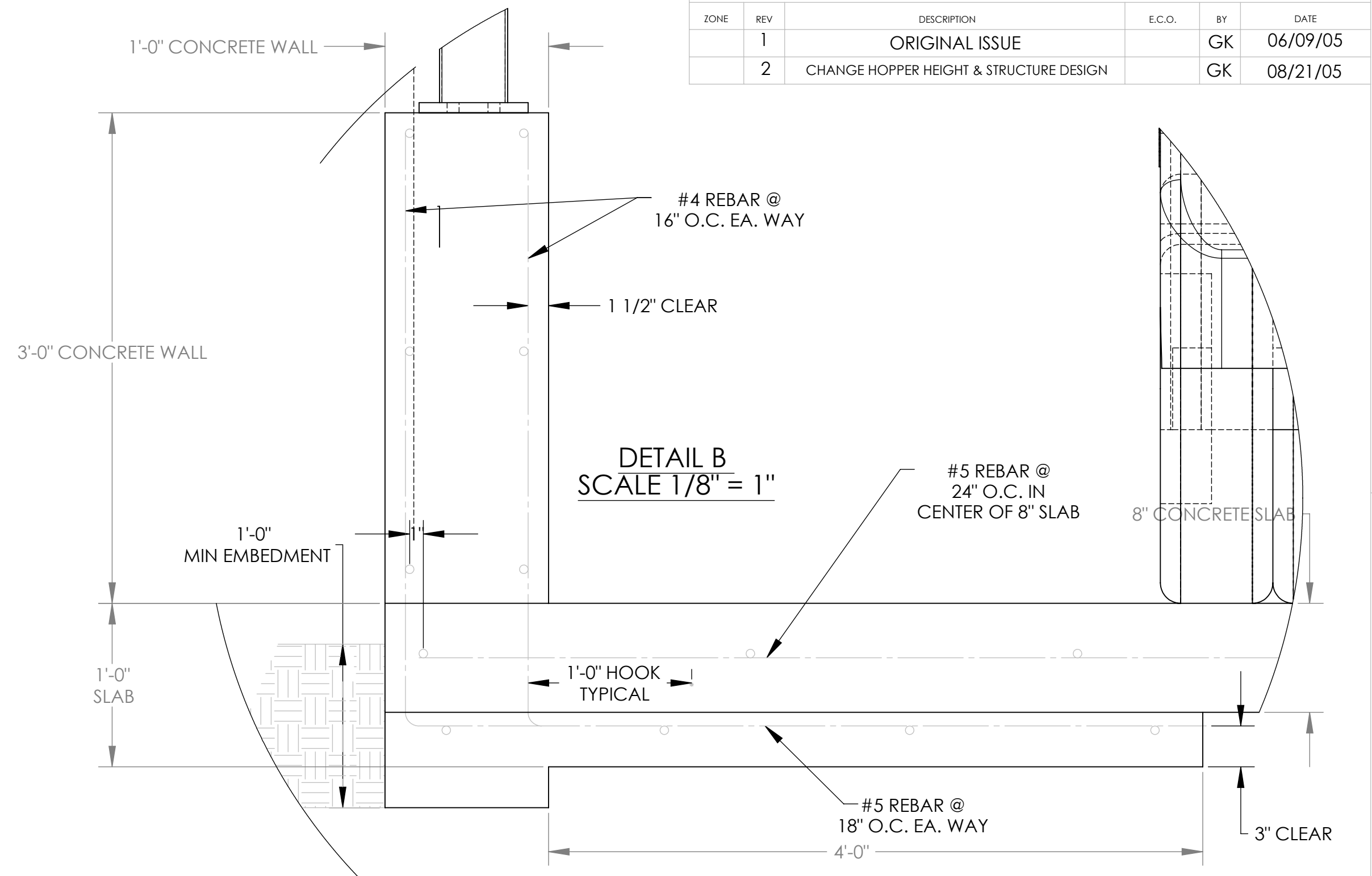
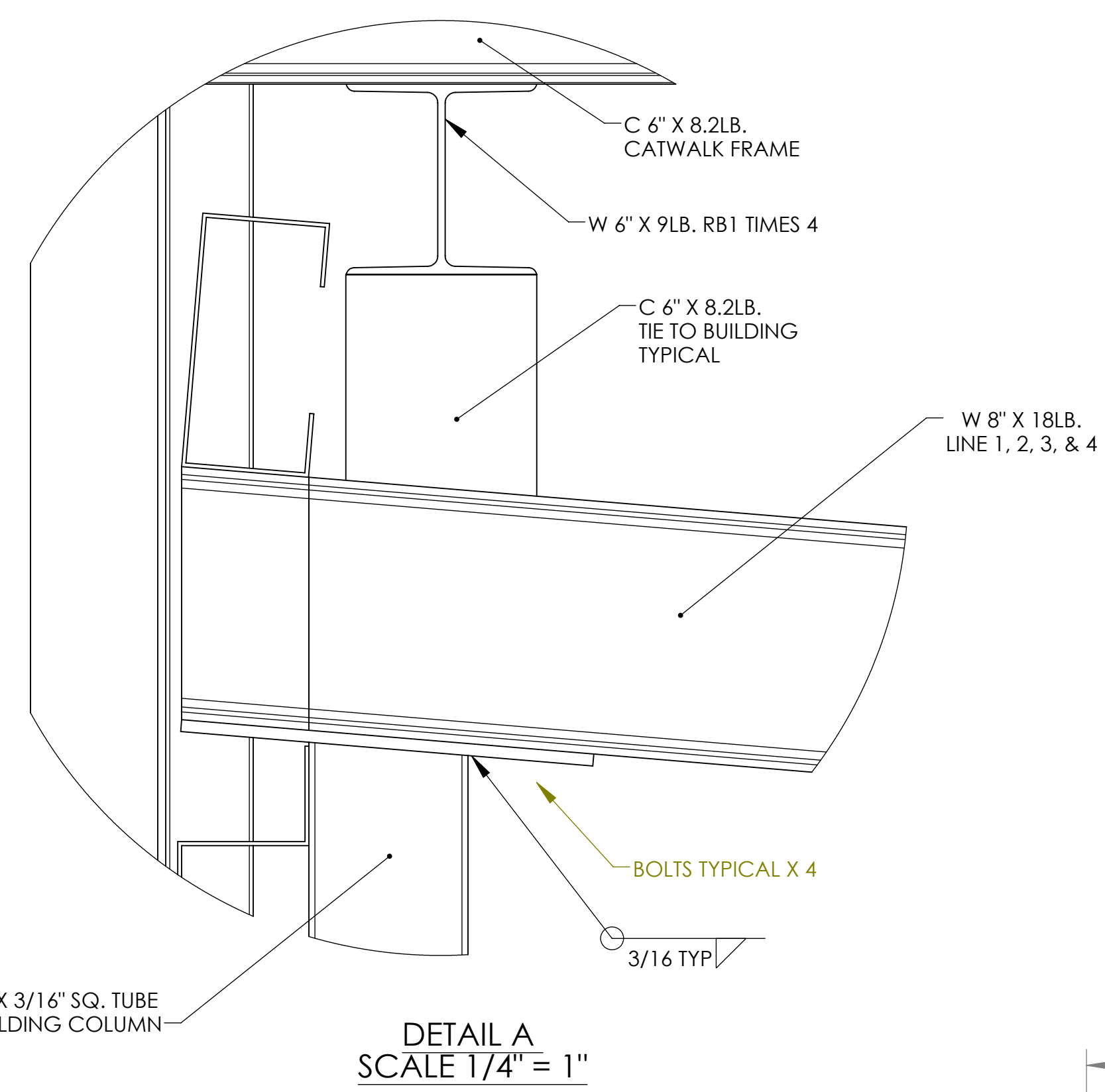


NOTES - ( UNLESS OTHERWISE SPECIFIED )

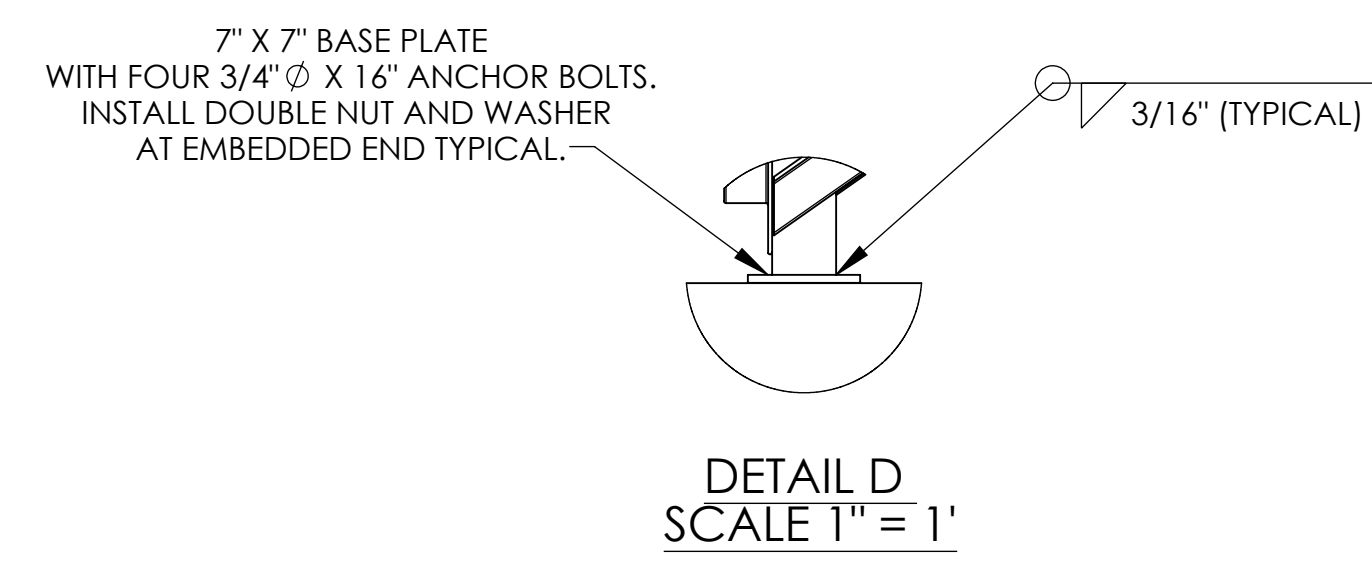
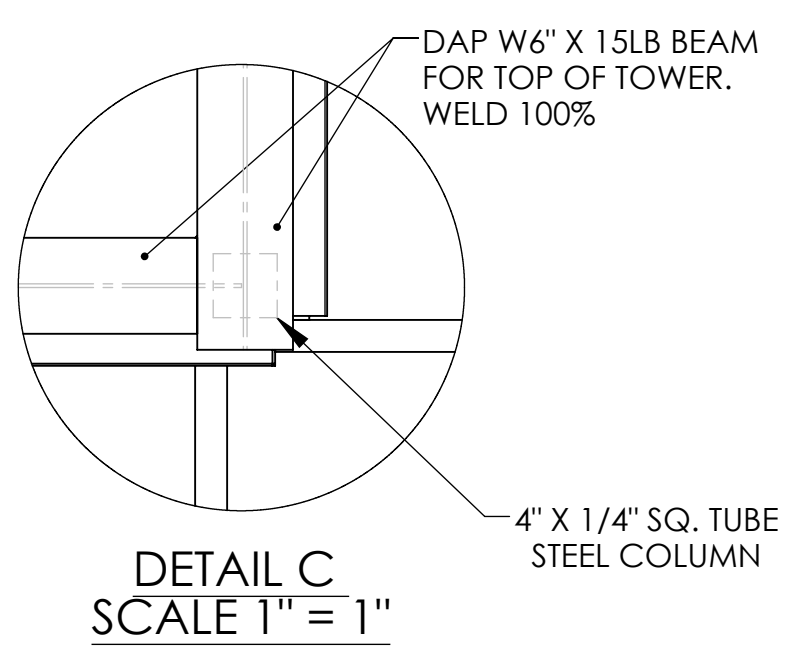
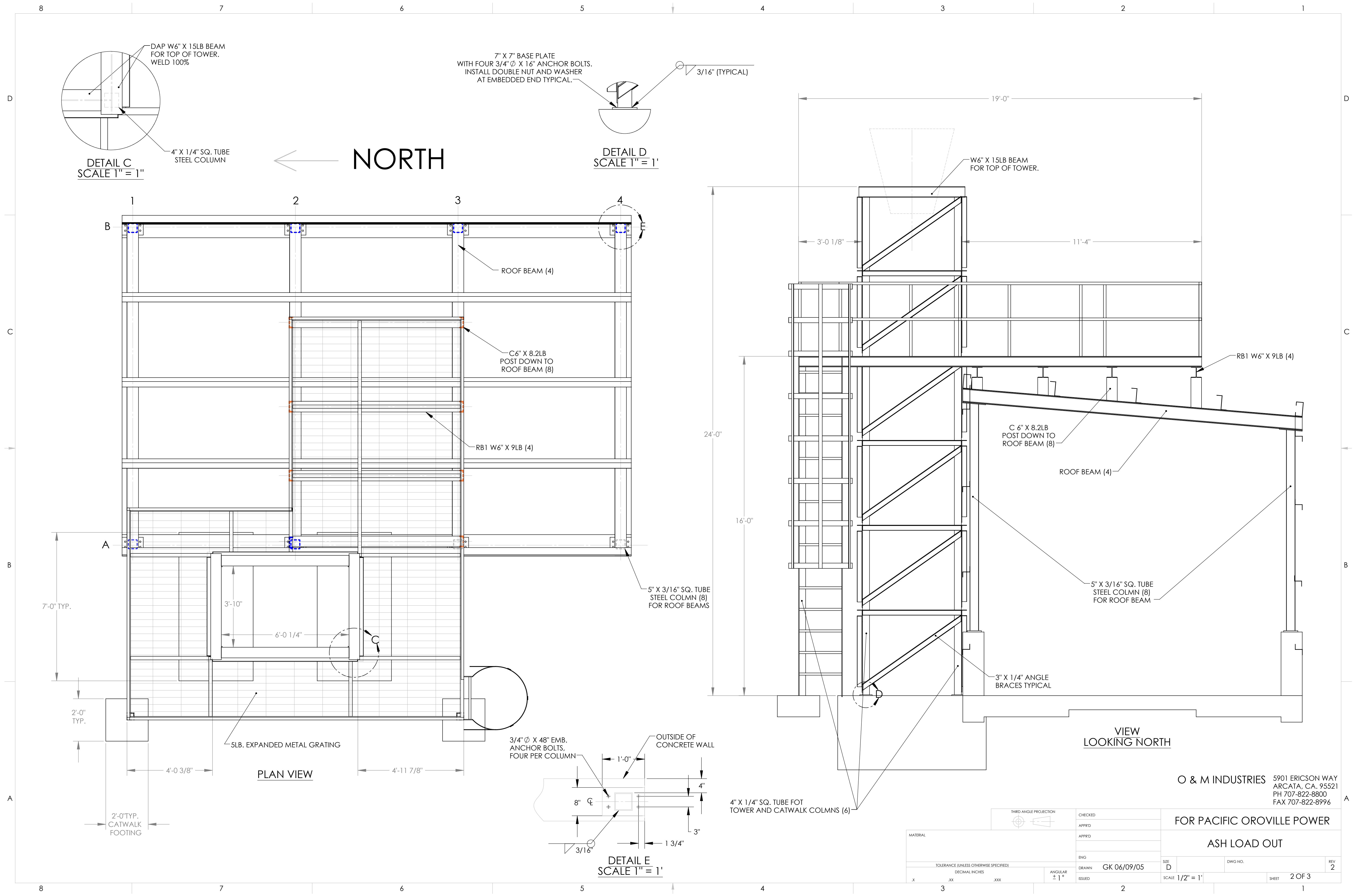
1. ALL DIMENSIONS IN INCHES.
2. DIMENSIONING AND TOLERANCING PER ASME Y14.5M.
3. STRUCTURAL FRAME TO BE CONSTRUCTED OF 8" X 18 LB. WIDE FLANGE BEAM AT LINES 1, 2, 3, & 4.
4. WALL GIRTS TO BE 4" AND ROOF PURLINS 8".
5. STEEL COLUMNS FOR HOPPER AND CATWALK SUPPORT TO BE 4" X 1/4" SQUARE TUBE.
6. SUB SUPPORT FOR CAT WALK, HOPPER, AND CROSS OVER CONVEYER WILL BE 6" X 8.2 LB. CHANNEL.
7. THERE WILL BE TWO 6" WIDE FLANGE SUPPORT BEAMS GOING PERPENDICULAR FROM THE CENTER ROOF BEAM TO THE NORTH END ROOF BEAM. THIS WILL SERVE AS MAIN OVER HEAD STRUCTURE SUPPORT.
8. A FULL DOUBLE SWINGING DOOR WILL OPEN OUT AT EACH END OF BUILDING.
9. THE ROOF, SIDES AND DOORS WILL BE COVERED WITH APPROPRIATE STEEL SIDING.
10. CATWALK SHALL BE 5LB. EXPANDED METAL GRATING.

REVISIONS				
ZONE	REV	DESCRIPTION	E.C.O.	DATE
	1	ORIGINAL ISSUE	GK	06/09/05
	2	CHANGE HOPPER HEIGHT & STRUCTURE DESIGN	GK	08/21/05

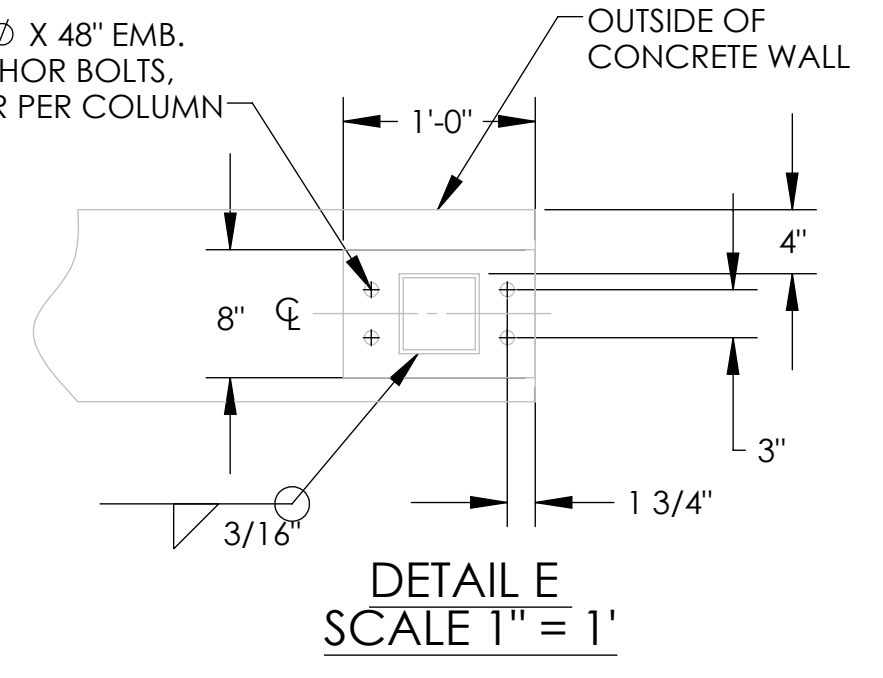
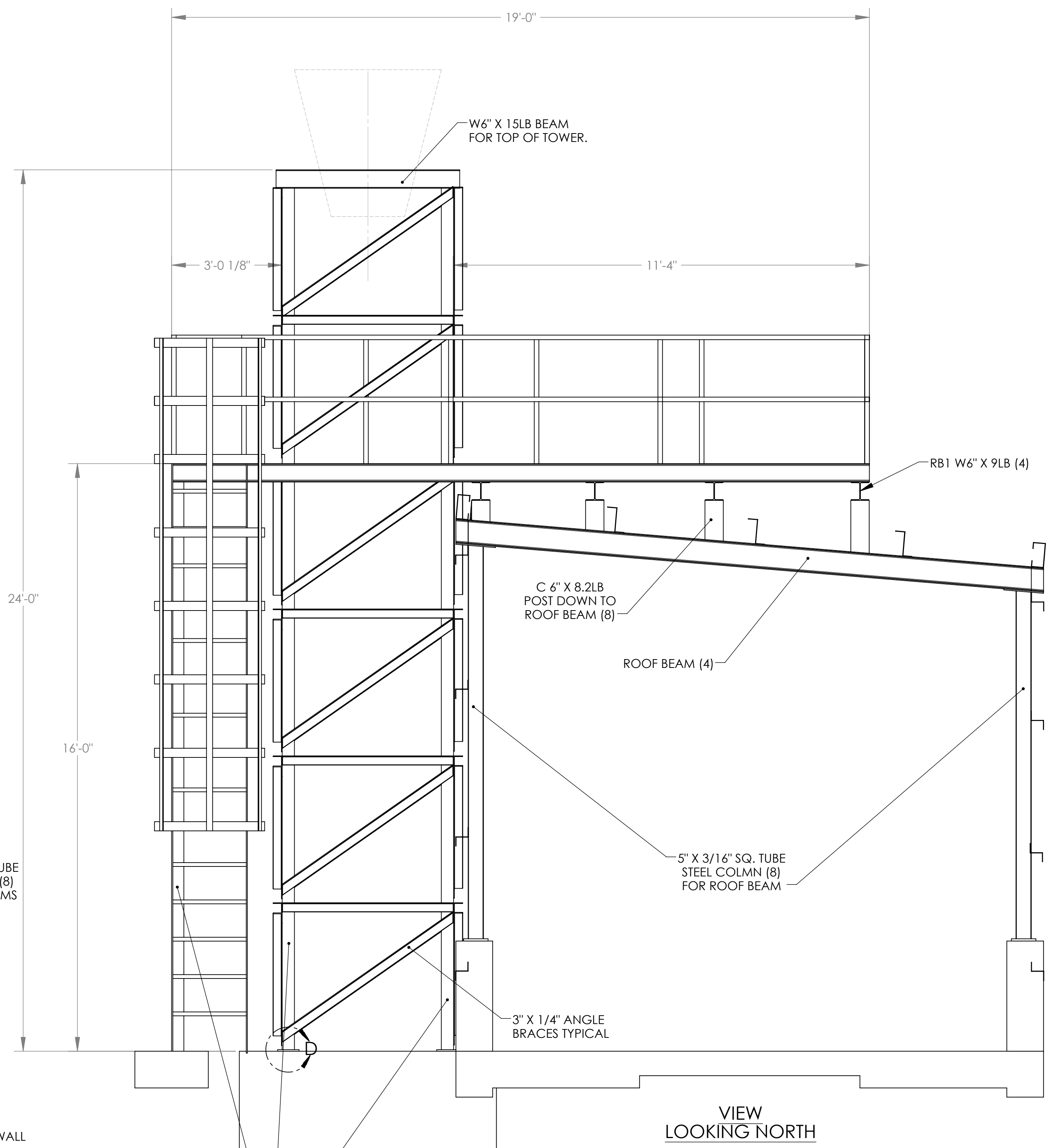
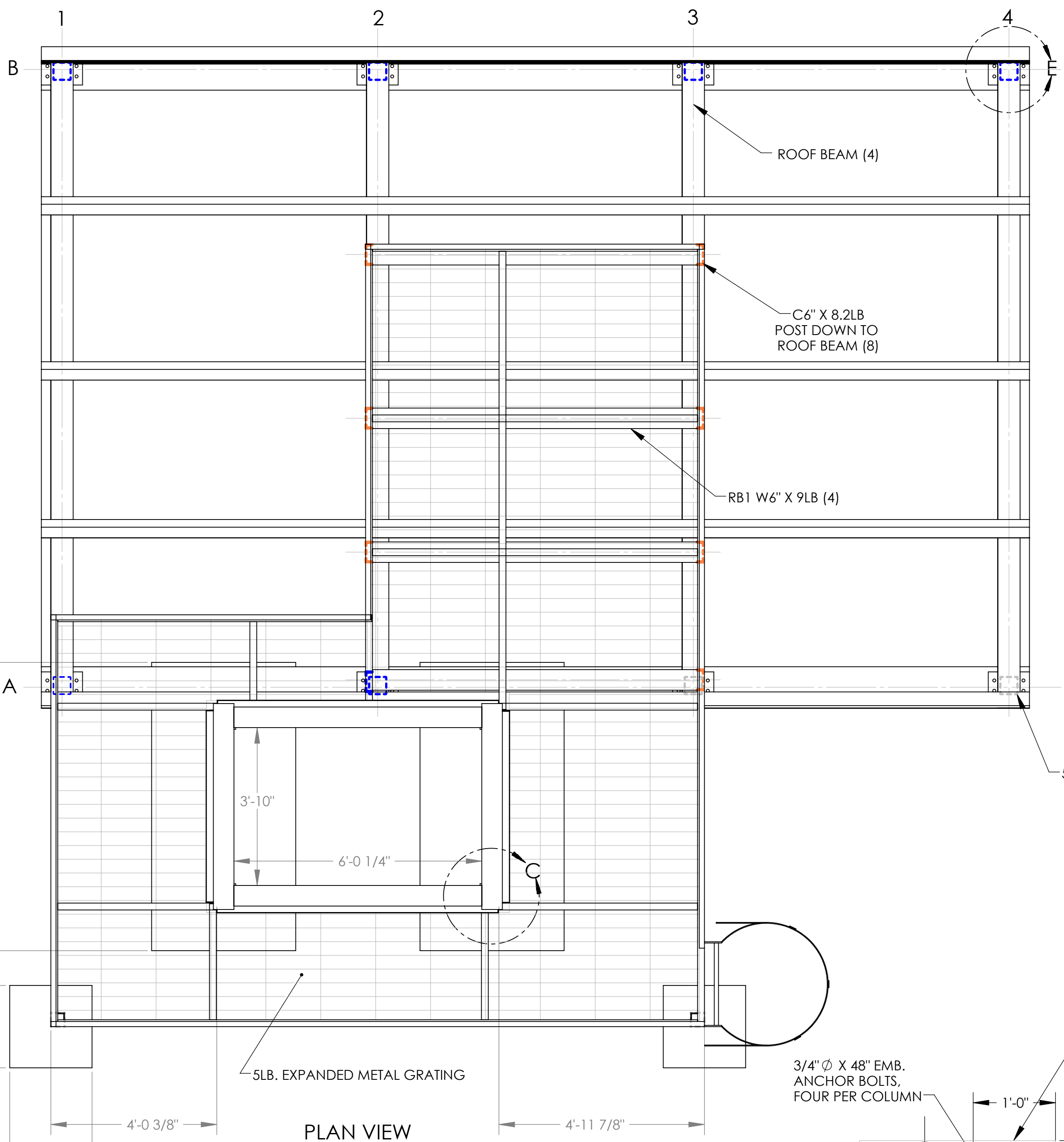


O & M INDUSTRIES 5901 ERICSON WAY  
ARCATA, CA. 95521  
PH 707-822-8800  
FAX 707-822-8996

MATERIAL		THIRD ANGLE PROJECTION		CHECKED		FOR PACIFIC OROVILLE POWER	
SEE PARTS LIST AND NOTES		APPROD		APPROD		ASH LOAD OUT	
TOLERANCE (UNLESS OTHERWISE SPECIFIED)		DRAWN GK 06/09/05		ENG		SIZE D	
DECIMAL INCHES		ISSUED 2		DRAWN		DWG. NO.	
ANGULAR ± 1°		SCALE 1/4" = 1'		DRAWN		REV 2	
x .xxx .xxx		SHEET 1 OF 3		DRAWN		DATE	



NORTH

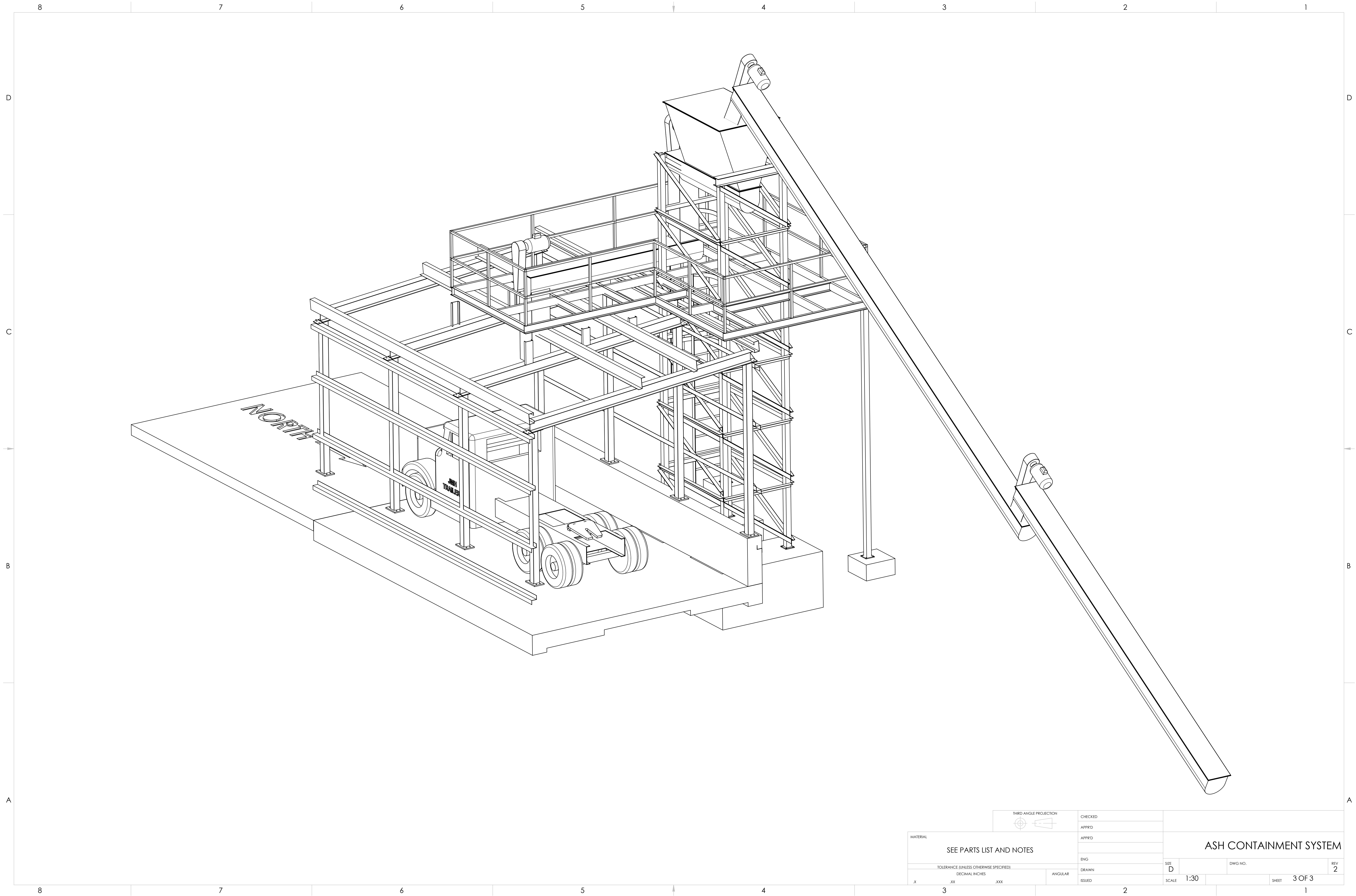


O & M INDUSTRIES 5901 ERICSON WAY  
ARCATA, CA. 95521  
PH 707-822-8800  
FAX 707-822-8996

FOR PACIFIC OROVILLE POWER

ASH LOAD OUT

THIRD ANGLE PROJECTION		CHECKED			
		APPRD			
		APPRD			
		ENG			
		DRAWN	GK 06/09/05	SIZE D	DWG. NO.
		ISSUED		SCALE 1/2" = 1'	SHEET 2 OF 3
TOLERANCE (UNLESS OTHERWISE SPECIFIED): DECIMAL INCHES		ANGULAR ± 1°			REV 2
x	xxx	xxx			



NORTH

ASH TRAILER

THIRD ANGLE PROJECTION		CHECKED		
APPRD		APPRD		
APPRD		APPRD		
MATERIAL		ENG	SIZE	DWG. NO.
SEE PARTS LIST AND NOTES		DRAWN	D	
TOLERANCE (UNLESS OTHERWISE SPECIFIED)		ISSUED	SCALE	REV
.x	.xx	2	1:30	2
.xxx	ANGULAR	SHEET		3 OF 3
				1

ASH CONTAINMENT SYSTEM